

# R8 BEAM SEATING

## FOCUS

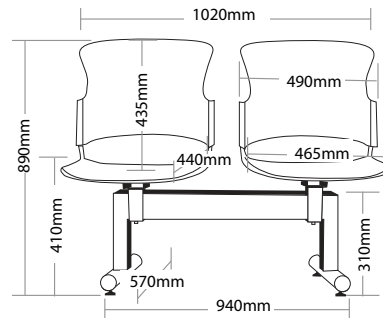
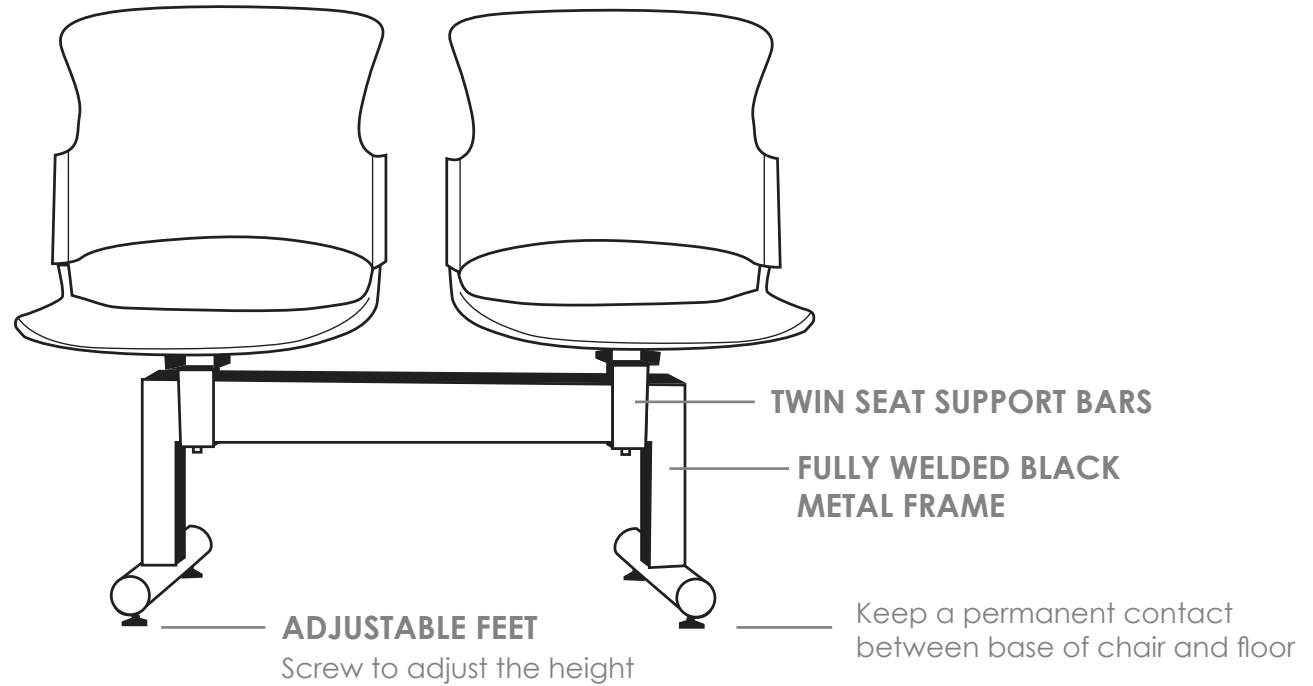


### FEATURES

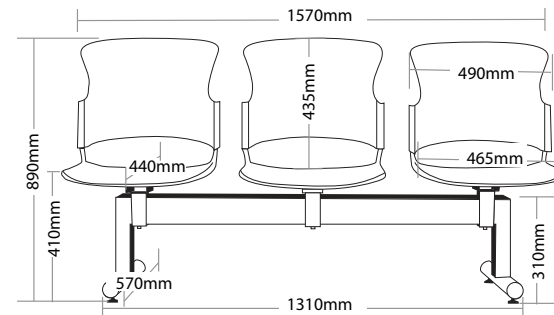
- » Optional 2 or 3 seater
- » Fully welded black metal frame
- » Twin seat support bars
- » Adjustable feet
- » Available in black only
- » Minor assembly required
- » Suitable for indoor use only
- » 4 year warranty
- » Weight limit for 2 seater is 200kg
- » Weight limit for 3 seater is 300kg

### INDOOR USE ONLY

✘ Do not use as a step ladder



F-BEAM 2



F-BEAM 3

# FOCUS BEAM SEATING



F-BEAM 2



F-BEAM 3