

R4 MULTI SHIFT SEATING

LOGAN

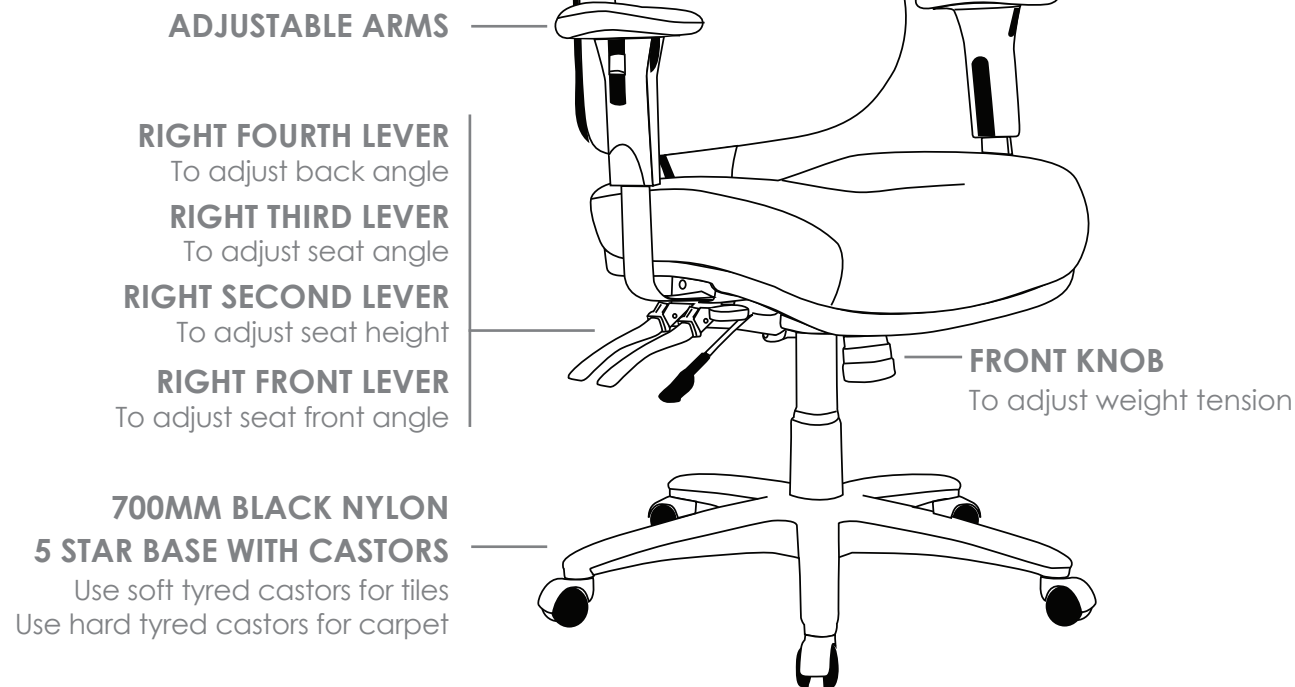


FEATURES

- » Adjustable seat height
- » Adjustable back height (ratchet)
- » Adjustable seat and back angle
- » Adjustable weight tension
- » Adjustable arms
- » Available in high and low back
- » Moulded seat and back foam
- » 4 lever ergonomic mechanism
- » 700mm black nylon base
- » Available in black only
- » Minor assembly required
- » Suitable for indoor use only
- » 10 year warranty
- » Weight limit is 140kg

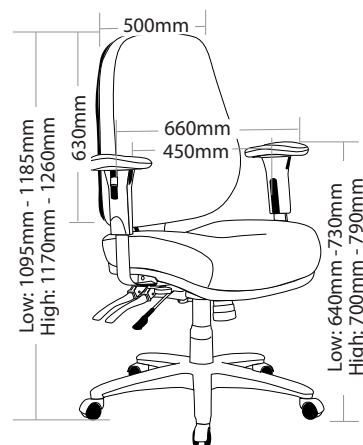
INDOOR USE ONLY

✘ Do not use as a step ladder

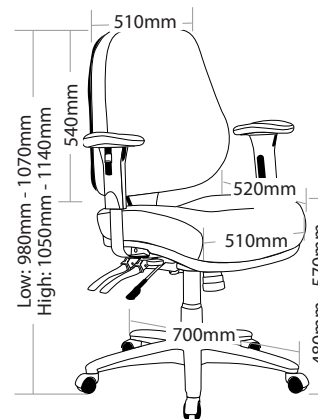


To adjust back height hold back with two hands while seated and raise to desired height

To lower the back height raise back all the way to the top and release slowly



LOGAN-H



LOGAN-L

LOGAN MULTI SHIFT SEATING



LOGAN-H



LOGAN-L



BACK VIEW