

ACCÉNT Glassboard

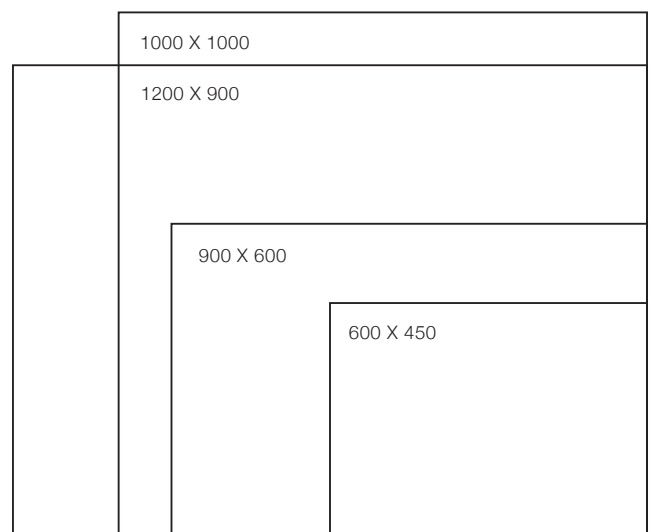
ACCÉNT Glass Whiteboards ... the modern frameless alternative to traditional whiteboards



Using a direct to wall mounting system with no visible fixtures and no holes in the glass, the Accent Glass Whiteboards presents a seamless writing surface to compliment your work environment.

The toughened safety glass is low iron content providing a true ultra white colour. Polished edges and smooth corner tips provide the quality finishing touches. Galvanised steel backing allows Glassboard™ magnets to be used to attach your paper notes. The non-porous glass will provide years of easy quick clean - no ghosting writing surface.

- Concealed easy wall mounting landscape or portrait
- Toughened Ultra white 4mm safety glass
- Polished edges and rounded corners
- Magnetic surface
- Includes perspex pen tray 250x60mm
- 5 year warranty
- Easy installation with drilling template and fixings

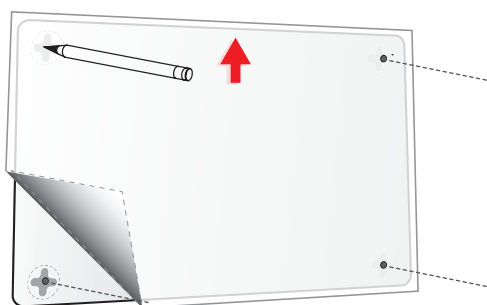


Code	Description	Size (mm)
VGA6045	Accént Ultra White Glassboard	600 x 450
VGA9060	Accént Ultra White Glassboard	900 x 600
VGA1010	Accént Ultra White Glassboard	1000 x 1000
VGA1290	Accént Ultra White Glassboard	1200 x 900

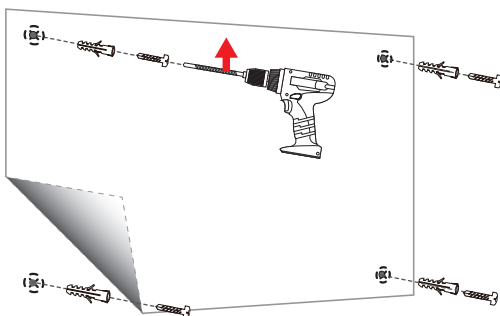
More sizes available soon

Easy installation using template

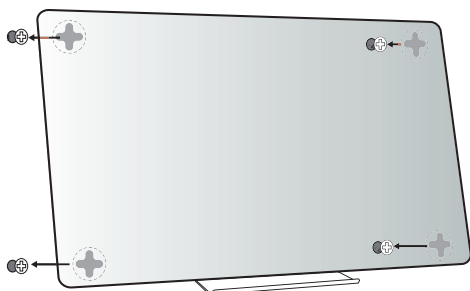
1. Place paper template on back of glassboard and mark holes



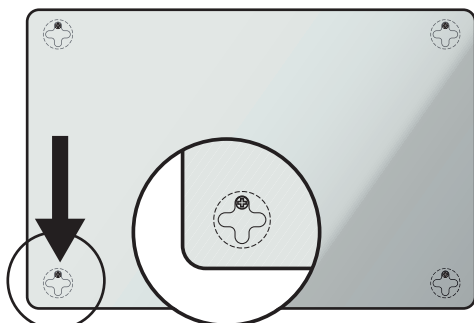
2. Stick template on wall and drill holes, insert wall plugs & screws



3. Stick pen tray to rear of board and screw in fittings



4. Position holes over fittings and pull down into place



Superior packaging for hassle free shipping



NSW Head Office

5 Liberty Rd,
Huntingwood,
NSW 2148

QLD

Units 1-4,
36 Deakin Street,
Brendale QLD 4500

VIC

U13, 69 Mark Anthony Dr,
Dandenong South
VIC 3175

WA

47 Abbott Road,
Perth Airport
WA 6105

SA

6 Leeds Street,
Woodville North
SA 5012

NZ

423 East Tamaki Rd,
East Tamaki, Auckland
NZ 2013