

R6 EXECUTIVE SEATING

CAMRY



FEATURES

CAMRY-H/ CAMRY-L

- » Adjustable seat height
- » Adjustable seat and back angle
- » Adjustable weight tension
- » Available in high and low back
- » Fixed heavy duty aluminium arms
- » High density foam
- » Knee tilt mechanism with 3 locking positions
- » 700mm heavy duty aluminium base
- » Available in black PU only
- » Minor assembly required
- » Suitable for indoor use only
- » 5 year warranty
- » Weight limit is 120kg

CAMRY-VC

- » Chrome frame
- » High density foam
- » Available in black PU only
- » Minor assembly required
- » Suitable for indoor use only
- » 5 year warranty
- » Weight limit is 120kg

INDOOR USE ONLY

X Do not use as a step ladder

FIXED HEAVY DUTY ALUMINIUM ARMS

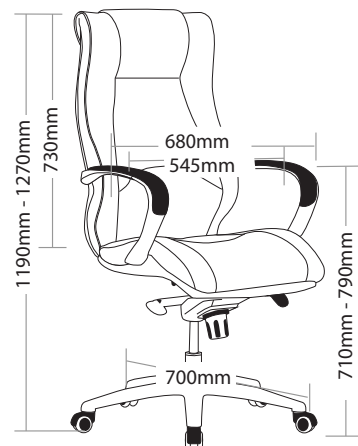
RIGHT LEVER
To adjust seat height

700MM HEAVY DUTY ALUMINIUM 5 STAR BASE WITH CASTORS
Use soft tyred castors for tiles
Use hard tyred castors for carpet

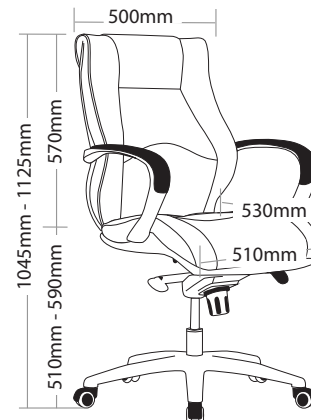


LEFT LEVER
To adjust seat and back angle

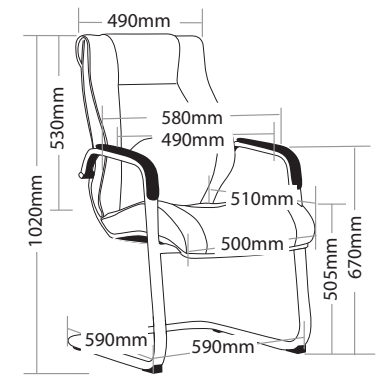
FRONT KNOB
To adjust weight tension



CAMRY-H



CAMRY-L



CAMRY-VC

CAMRY EXECUTIVE SEATING



CAMRY-H



CAMRY-L



CAMRY-VC