

R4 MULTI SHIFT SEATING

SIREN



FEATURES

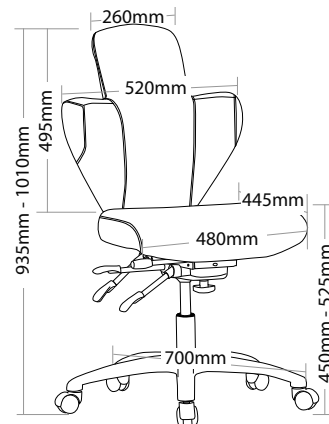
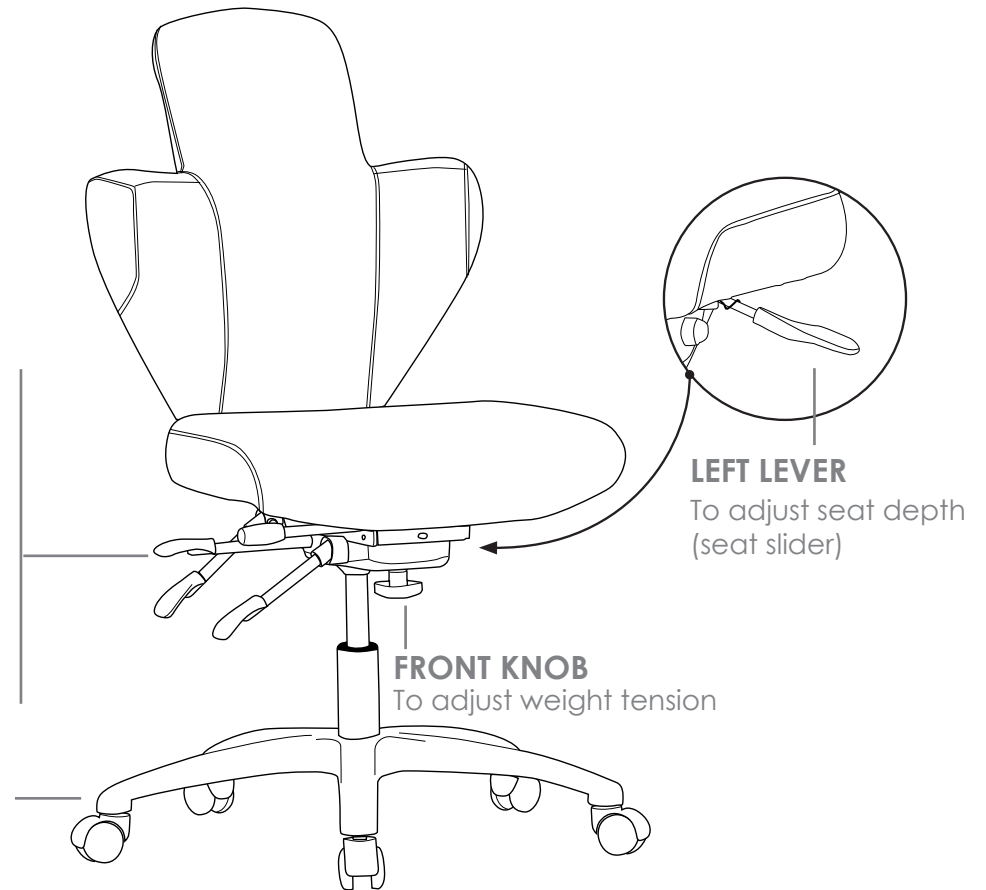
- » Adjustable seat height
- » Adjustable seat and back angle
- » Adjustable seat depth (seat slider)
- » Adjustable weight tension
- » 700mm aluminium base
- » Available in black PU only
- » Minor assembly required
- » Suitable for indoor use only
- » 5 year warranty
- » Weight limit is 140kg

INDOOR USE ONLY

✗ Do not use as a step ladder

- 4TH RIGHT LEVER**
To adjust back angle
- 3RD RIGHT LEVER**
To adjust seat height
- 2ND RIGHT LEVER**
To adjust seat angle (backwards)
- 1ST RIGHT KNOB**
To adjust seat angle (forwards)

700MM ALUMINIUM 5 STAR BASE WITH CASTORS
Use soft tyred castors for tiles
Use hard tyred castors for carpet



SIREN

SIREN MULTI SHIFT SEATING



SIREN



BACK VIEW



SIDE VIEW