



You should choose Lumière Glassboards™ for any project requiring an elegant writing surface that is stain free and magnetic receptive.

Lumière Glassboards™ have revolutionised the writing board market. They provide a sleek, timeless look and have been the choice for education interior designs and large scale projects in particular.

The 4.5mm toughened safety glass is painted and cured 5 times using the VISION COAT Ultraviolet Light curing process. The Ultraviolet Light curing process effectively minimises drying time, preventing flaws and errors that would occur during a standard drying time of paint coats. This increases the quality of the overall Glassboard™ colour finish, and allows for assured surface consistency.

VISIONCHART Lumière Glass is low-iron allowing non-tinted transmission through the glass of the VISIONCHART Brilliant White finish. Standard glass has mineral traces that result in a green tint.



Lumière

CONTEMPORARY – Alternative to traditional whiteboards highlighted by the translucency and elegance of premium glass

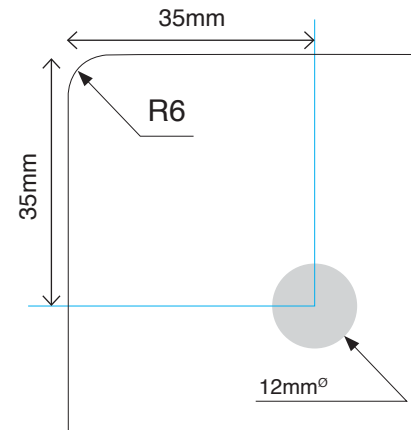
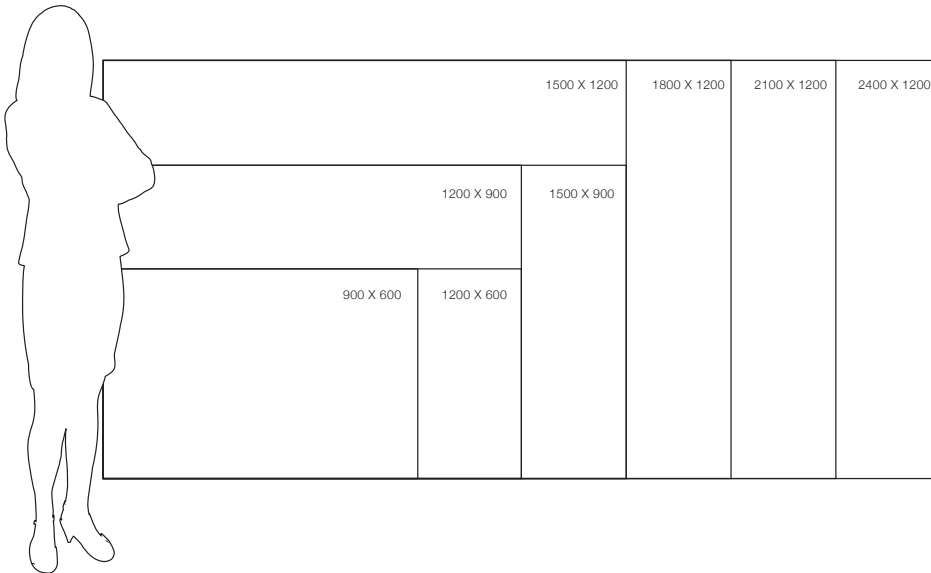
QUALITY – VISIONCHART Brilliant White 4.5mm toughened safety glass, non-porous surface will not ghost or stain. Magnetic Safety glass conforms to: AS/NZS 2208:1996 Safety Glazing Materials In Buildings Standard

FRAMELESS – Tempered glass is borderless to create clean lines, featuring polished edges and 6mm rounded corners for an uncluttered and ultra modern appearance

STYLISH FIXTURES - Float the board 15mm off the wall with colour matched VISIONCHART Brilliant White fittings

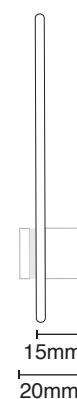
TIMELESS - 50 Year warranty on erasing surface

Code	Size (mm)	Fittings QTY
VGB9060	900 x 600	4
VGB1260	1200 x 600	4
VGB1290	1200 x 900	4
VGB1212	1200 x 1200	4
VGB1590	1500 x 900	4
VGB1512	1500 x 1200	6
VGB1812	1800 x 1200	6
VGB2112	2100 x 1200	6
VGB2412	2400 x 1200	8
VGB1260-B	1200 x 600	4
VGB1812-B	1800 x 1200	6



SPECIFICATION INFORMATION

Description	VISIONCHART Brilliant White Lumière Glassboard™ VISIONCHART Black Lumière Glassboard™
Application	Premium glass writing surface for office, educational and commercial interiors
Surface Colour	VISIONCHART Brilliant White or Black Glass (5 paint coats)
Glass Finish	VISION COAT Ultraviolet Light curing
Glass Thickness	4.5mm toughened low-iron safety glass
Sizing	9 Standard Sizes Brilliant White - 2 Standard Sizes Black Glass
Included	500x75mm Clear 3mm Perspex Pen Tray
Warranty	50 year surface
Accessories	Lumière Glassboard Premium Starter Kit Lumière Glassboard Bullet Markers 6 Pack



NSW Head Office

5 Liberty Rd,
Huntingwood,
NSW 2148

QLD

Units 1-4,
36 Deakin Street,
Brendale QLD 4500

VIC

U13, 69 Mark Anthony Dr,
Dandenong South
VIC 3175

WA

47 Abbott Road,
Perth Airport
WA 6105

SA

6 Leeds Street,
Woodville North
SA 5012

NZ

49 Station Rd,
Papatoetoe, Auckland
NZ 2025